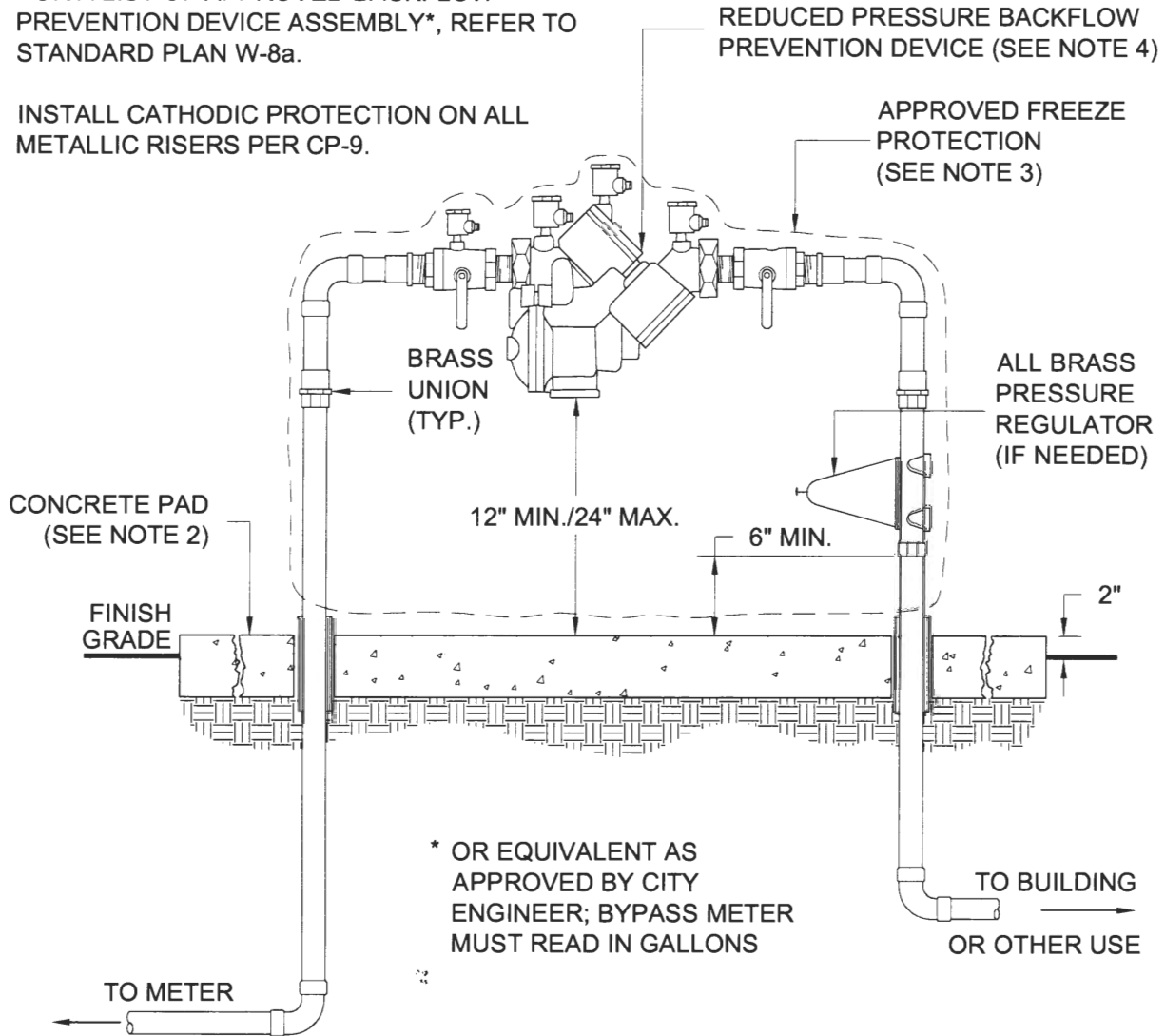


**NOTES:**

1. ALL FITTINGS, INCLUDING PRESSURE REDUCER, SHALL BE BRASS.
2. WHEN REQUIRED BY CITY, PROVIDE CONCRETE PAD AND ENCLOSURE PER STANDARD PLAN I-5.
3. FREEZE PROTECTION SHALL BE MADE OF WATER RESISTANT CANVAS FILLED WITH R-19 FIBERGLASS INSULATION AND SHALL BE SIZED TO FIT THE DEVICE.
4. FOR A LIST OF APPROVED BACKFLOW PREVENTION DEVICE ASSEMBLY\*, REFER TO STANDARD PLAN W-8a.
5. INSTALL CATHODIC PROTECTION ON ALL METALLIC RISERS PER CP-9.



(Not To Scale)



**PUBLIC WORKS  
DEPARTMENT**



**BACKFLOW PREVENTION DEVICE  
UNDER 3" MAIN LINE**

*B. Grewal*

BALWINDER S. GREWAL

CITY ENGINEER

DATE: AUG. 15, 2003

REVISED: DEC. 3, 2007

SHEET NO.

**W-8**