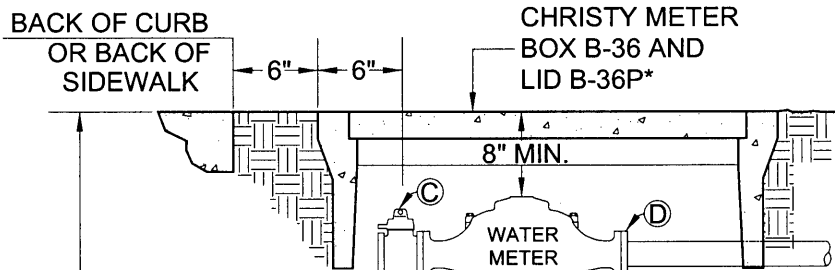


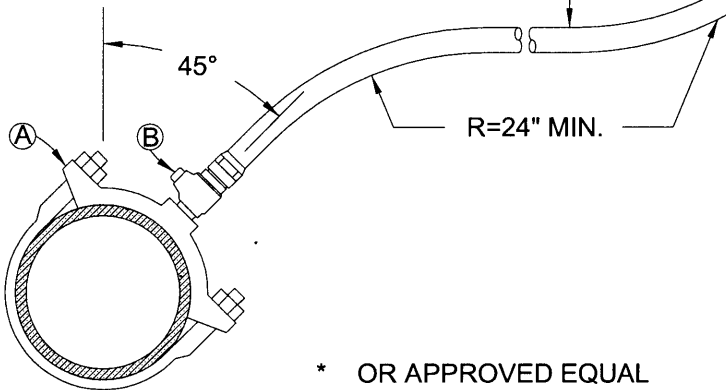
NOTE:

1. SEE STANDARD PLAN W-6a FOR ADDITIONAL WATER SERVICE NOTES AND TYPICAL LAYOUT.
2. METER SIZES LARGER THAN 2" SHALL APPROVED BY THE CITY ENGINEER.
3. SERVICE SADDLE FOR MAINS LARGER THAN 12" REQUIRES APPROVAL BY THE CITY ENGINEER.



WATER METER
SEE STANDARD
PLAN W-6 FOR
INSTALLATION

2" TYPE K
SOFT COPPER
(NO SPLICES)



MUELLER SERVICE SADDLE* (A)	
6" MAIN	H-13441
8" MAIN	H-13442
10" MAIN	H-13443
12" MAIN	H-13444
> 12" MAIN	SEE NOTE 2

* OR APPROVED EQUAL
** FULL PORT BALL VALVE TYPE

METER SIZE	MUELLER CORPORATION STOP* (B)**	MUELLER ANGLE METER STOP* (C)**	MUELLER METER COUPLING* (D)
1-1/2"	2" B-25008	2" B-24276	1 1/2" FLANGE
2"			2" FLANGE

(Not To Scale)



**ENGINEERING
DEPARTMENT**

LARGE DIAMETER WATER SERVICE

Brewer
BALWINDER S. GREWAL CITY ENGINEER

DATE: SEPT. 30, 2000
REVISED: JUNE 20, 2003

SHEET NO.
W-7