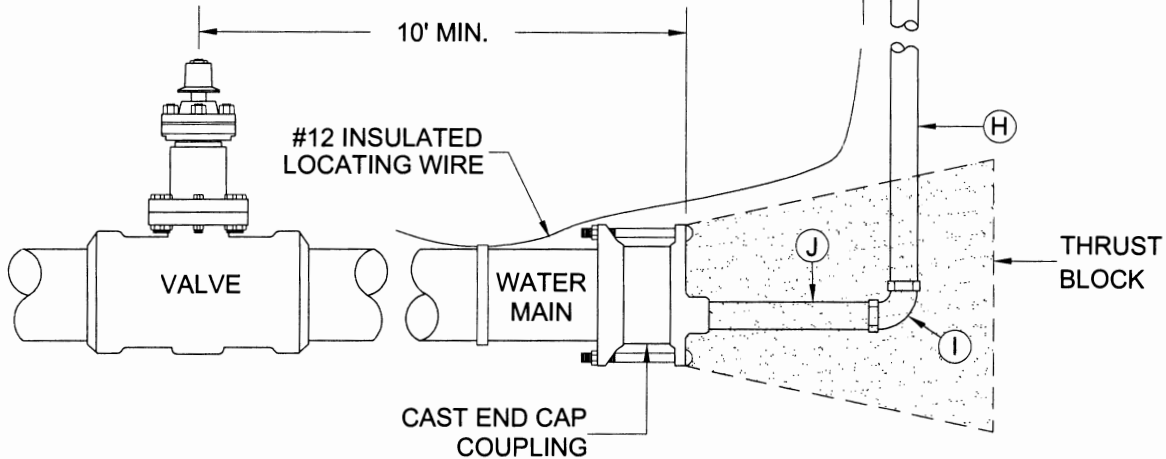
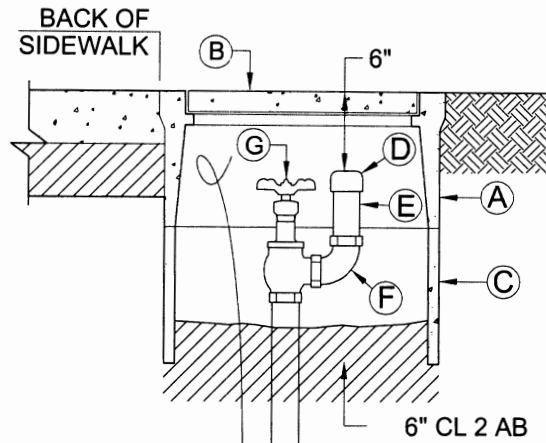


COMPONENT PARTS	
A	CHRISTY B16 BOX*
B	CHRISTY B16D LID*
C	CHRISTY B16X10 EXTENSION*
D	2" PVC SCH 40 THREADED CAP
E	2" x 4" BRASS NIPPLE
F	2" BRASS 90° STREET ELBOW
G	2" BRASS ANGLE VALVE MATCO-NORCA INC 240T08H WITH BRONZE HANDWHEEL*
H	2" BRASS RISER
I	2" BRASS 90° ELBOW
J	2" x 12" BRASS NIPPLE

* - OR APPROVED EQUAL



NOTES:

1. A FIRE HYDRANT IS REQUIRED AT THE END OF ALL DEAD END WATER MAINS EXCEPT WHERE A BLOWOFF ASSEMBLY MAY BE INSTALLED AS A TEMPORARY END OF LINE INSTALLATION.
2. LOCATE BLOWOFF ASSEMBLY BEYOND ROADWAY PAVEMENT OR SIDEWALK.

(Not To Scale)



PUBLIC WORKS DEPARTMENT



2" BLOWOFF ASSEMBLY

Balwinder S. Grewal
BALWINDER S. GREWAL CITY ENGINEER

DATE: NOV. 30, 1998
REVISED: JULY 17, 2007

SHEET NO.
W-10