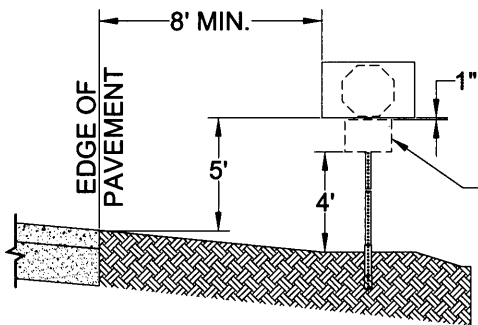
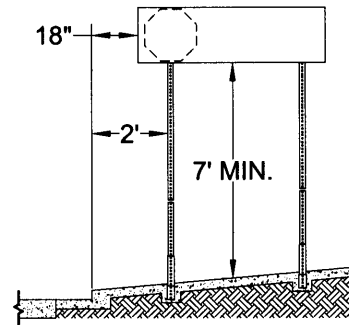


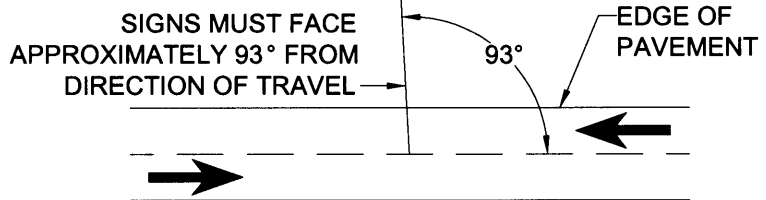
MEDIAN SIGNING AT INTERSECTIONS



SHOULDER LOCATIONS



SHOULDER LOCATIONS



PLAN VIEW

NOTES:

1. SEE STANDARD PLAN ST-13 FOR ROADSIDE BREAKAWAY SIGN POST.
2. PARKWAY AND SHOULDER SIGNS HAVING A HORIZONTAL WIDTH 48" SHALL BE DUAL-POST MOUNTED. SIGNS LESS THAN 48" IN WIDTH SHALL BE MOUNTED ON A SINGLE POST.
3. ADVANCE STREET NAME SIGNS PLACED IN MEDIANS SHALL BE 2' FROM THE EDGE OF THE TRAVELED WAY, AND BE LOCATED APPROXIMATELY 300' FROM THE INTERSECTION OR 100' FROM THE BEGINNING OF A LEFT TURN POCKET. SIGN MOUNTING HEIGHT SHALL BE 7' ABOVE MEDIAN SURFACE OR AS DIRECTED BY THE CITY ENGINEER.

(Not To Scale)



**ENGINEERING
DEPARTMENT**

TRAFFIC SIGN PLACEMENT

John E. Stevenson
JOHN E. STEVENSON
CITY ENGINEER

DATE: MAR. 20, 2001

REVISED:

SHEET NO.

ST-30