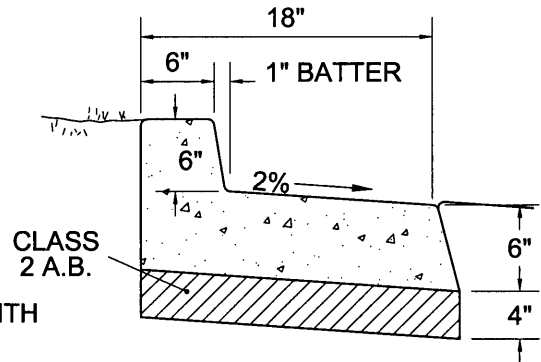


**TYPE "A"**

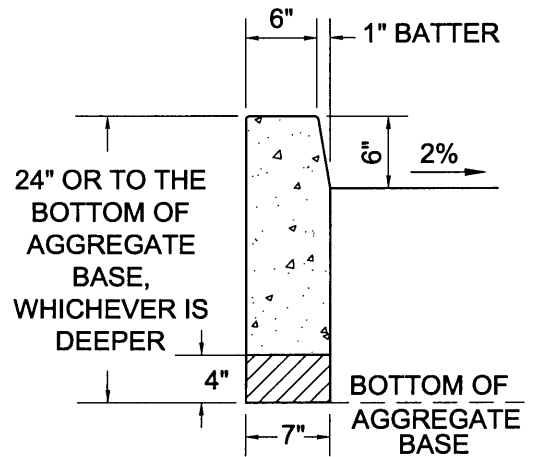


**TYPE "D"**

**FALL AWAY GUTTER**

**NOTES:**

1. ALL CONCRETE SHALL BE CLASS B, 2500 P.S.I. MIN., WITH 1 1/2 LBS. FIBRILLATED POLYPROPYLENE FIBERS PER CUBIC YARD.
2. A PERFORATED DRAIN PIPE SHALL BE INSTALLED ON TYPES "A", "C" AND "D" PER CITY STANDARD ST-24.
3. ALL CURB TYPES SHALL HAVE A 1" MIN. DEEP SCORE MARK EVERY 10'. IN ADDITION, TYPE "A" SIDEWALK SHALL HAVE A 1/4" x 1/4" SHALLOW SCORE MARK 5' O.C. FROM THE DEEP SCORE MARK.
4. BROOM FINISH WALK AT RIGHT ANGLES TO CURB; CURB AND GUTTER PARALLEL TO STREET.
5. INSCRIBE A 3" HIGH "W" OR "S" ON TOP OF THE CURB DIRECTLY ABOVE THE WATER OR SANITARY SEWER SERVICE.
6. ALL CONCRETE SHALL HAVE A MINIMUM 4" CUSHION OF CLASS 2 A.B. AT 95% RELATIVE COMPACTION (D1557-78) ON SCARIFIED AND 95% COMPACTED SUB-GRADE. THE USE OF RECYCLED A.B. SHALL NOT BE ALLOWED.
7. ALL CORNERS SHALL BE FINISHED WITH A 1/2" RADIUS.



**TYPE "B"**

(Not To Scale)



**ENGINEERING  
DEPARTMENT**

**SIDEWALK, CURB AND GUTTER**

*B. Grewal*  
BALWINDER S. GREWAL CITY ENGINEER

DATE: JUL. 26, 2002  
REVISED: JUNE 20, 2003

SHEET NO.  
**ST-23**