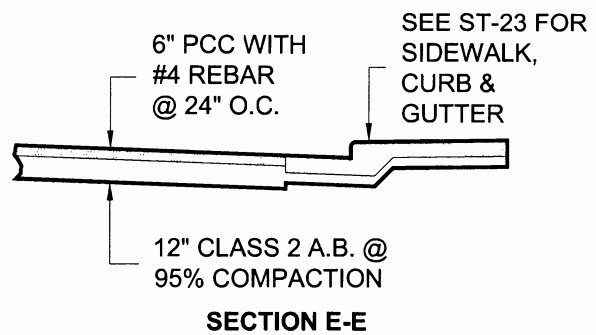


STREET TYPE	A	B	C	D
LOCAL	50'	50'	10'	L + 100'
COLLECTOR	100'	80'	10'	L + 180'
ARTERIAL	180'	125'	12'	L + 305'

L = BERTH AREA = 50' x + 20' y

x = NO. OF ARTICULATED BUSES
y = TOTAL NO. OF BUSES



(Not To Scale)



PUBLIC WORKS DEPARTMENT



BUS TURNOUTS

B. Grewal
BALWINDER S. GREWAL CITY ENGINEER

DATE: NOV. 30, 1998
REVISED: JULY 19, 2007

SHEET NO.
ST-14