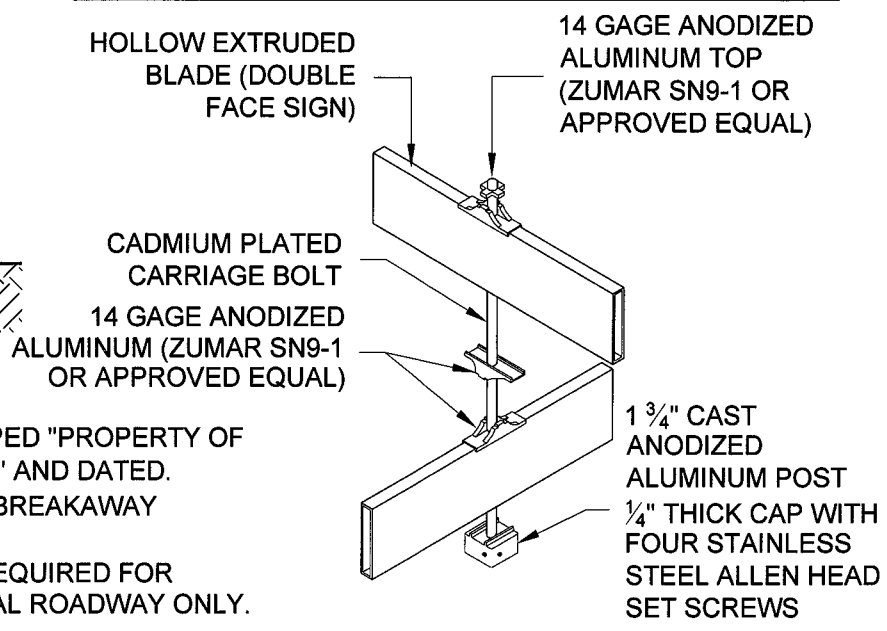


	RESIDENTIAL	THOROUGHFARE
A	6"	9"
B	4"	6"
C	1"	1"
D	24" MIN, INCREASE IN 6" INCREMENTS, AS NEEDED	
E	2"	3"
F	(SEE NOTE 3)	2"
LEGEND AND PLATE	WHITE, REFLECTIVE, GOTHIC LETTER STYLE, ALL UPPER CASE AGAINST GREEN, REFLECTIVE SHEETING	

NOTES:

1. ALL SIGNS MUST BE STAMPED "PROPERTY OF THE CITY OF BRENTWOOD," AND DATED.
2. SEE ST-13 FOR ROADSIDE BREAKAWAY SIGN POST.
3. BLOCK ADDRESSES ARE REQUIRED FOR COLLECTORS AND ARTERIAL ROADWAY ONLY.



PUBLIC WORKS DEPARTMENT



STREET NAME SIGN

Balwinder S. Grewal
BALWINDER S. GREWAL CITY ENGINEER

DATE: JULY 25, 2007
REVISED: AUG. 18, 2008

SHEET NO.
ST-12