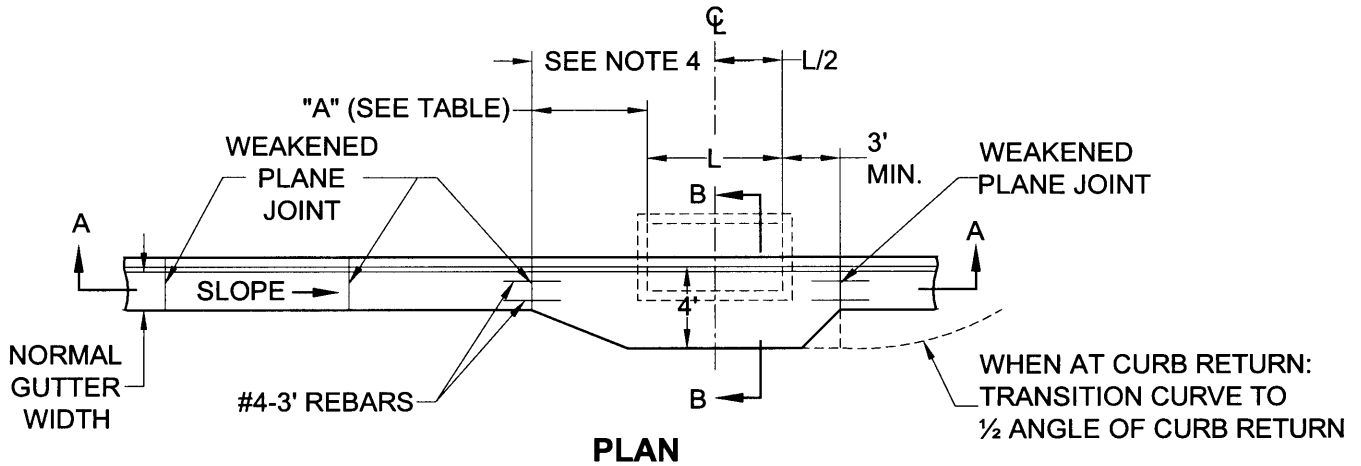


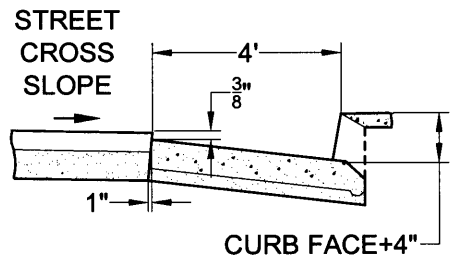
SECTION A-A



PLAN

NOTES:

1. LOCAL DEPRESSION SHALL NOT BE CONSTRUCTED UNTIL CONNECTING CURB AND GUTTER IS COMPLETE OR SHALL BE CONSTRUCTED MONOLITHICALLY WITH CONNECTING CURB AND GUTTER, UNLESS OTHERWISE APPROVED BY THE CITY ENGINEER.
2. LOCAL DEPRESSION SHALL CONFORM TO SAME SHAPE WHETHER GRATE INLET OR CURB OPENING, OR BOTH, ARE USED.
3. LENGTH OF OPENING "L" SHALL BE SPECIFIED ON PLANS.
4. BOTH ENDS OF DEPRESSION SHALL BE SYMMETRICAL ABOUT CENTER LINE IN SUMP CONDITIONS.
5. FILL BETWEEN THE GRADING PLANE AND CONCRETE DEPRESSION SHALL BE BASE MATERIAL.



SECTION B-B

UPSTREAM CURB GRADE	"A"
<3%	6'
3% - 6%	8'
>6%	10'

(Not To Scale)



**ENGINEERING
DEPARTMENT**

LOCAL DEPRESSION

John E. Stevenson
JOHN E. STEVENSON CITY ENGINEER

DATE: MAR. 23, 2001
REVISED:

SHEET NO.
SD-8