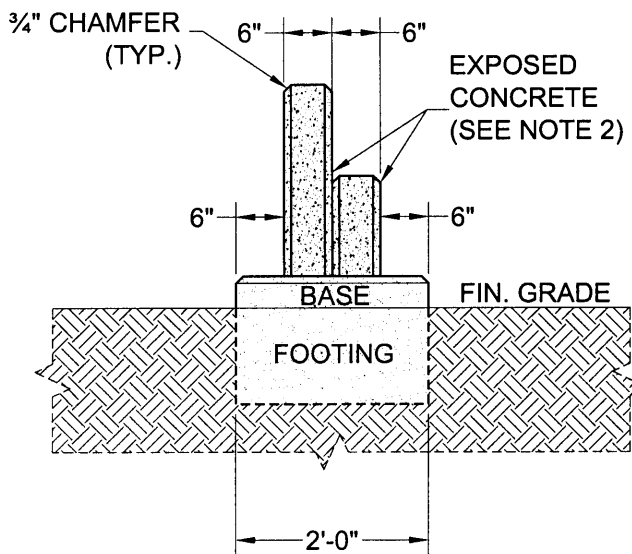


FRONT VIEW



SIDE VIEW

NOTES:

1. CONCRETE COLOR FOR PARK SIGN, BASE AND FOOTING SHALL BE INTEGRAL "PALMS SPRING TAN" OR APPROVED EQUAL.
2. ALL EXPOSED CONCRETE SHALL BE MEDIUM SANDBLAST FINISH.
3. PARK NAME LETTERS SHALL BE 3- $\frac{1}{2}$ " HIGH, $\frac{1}{2}$ " DEPTH IMPRESSED "GARAMOND BOLD" FONT AND SHALL BE PAINTED FLAT BLACK.
4. 5- $\frac{1}{4}$ " H x 9- $\frac{1}{4}$ " W x $\frac{1}{2}$ " D RECESSED AREA. PLAQUE TO BE PROVIDED BY THE PARKS AND RECREATION DEPARTMENT.

(Not To Scale)



**ENGINEERING
DEPARTMENT**

PARK IDENTIFICATION SIGN - I

B. Grewal

BALWINDER S. GREWAL

CITY ENGINEER

DATE: JUNE 20, 2003

REVISED: APR. 29, 2005

SHEET NO.

L-19