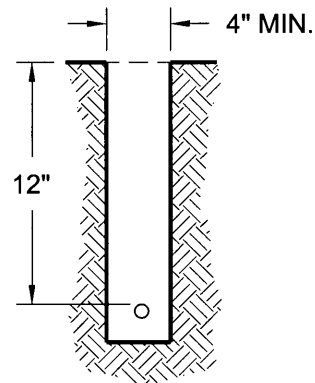


NOTES:

1. INSTALL 3" WIDE DETECTABLE WARNING TAPE 12" MIN ABOVE MAINLINE.
2. SALVAGED EXCAVATED FILL COMPACTED TO ORIGINAL DENSITY IN LANDSCAPED AREAS ONLY; ALL OTHER AREAS SHALL BE AT 95% COMPACTION AND AT 2% OPTIMUM MOISTURE.
3. FOR ANY PIPE UNDER PAVEMENT, SEE ST-25.
4. THE pH VALUE OF ALL BACKFILL MATERIAL SHALL BE TESTED TO BE WITHIN 6.5 TO 7.5 RANGE.
5. IRRIGATION CONTROLLER WIRES SHALL BE INSTALLED UNDER MAIN LINE AS SHOWN.
6. INSTALL 10 GAUGE INSULATED LOCATION WIRE TAPED TO PIPE EVERY 10'.
7. WHEN 8" - 12" SPRINKLER HEADS ARE USED, MAIN LINE DEPTH FROM THE FINISH GRADE SHALL INCREASE TO 24" AND LATERALS TO 18".



LATERAL ONLY

(Not To Scale)



**ENGINEERING
DEPARTMENT**

IRRIGATION SYSTEM TRENCHING

BALWINDER S. GREWAL CITY ENGINEER

DATE: MAR. 9, 2001
REVISD: JUNE 16, 2003

SHEET NO.
I-2