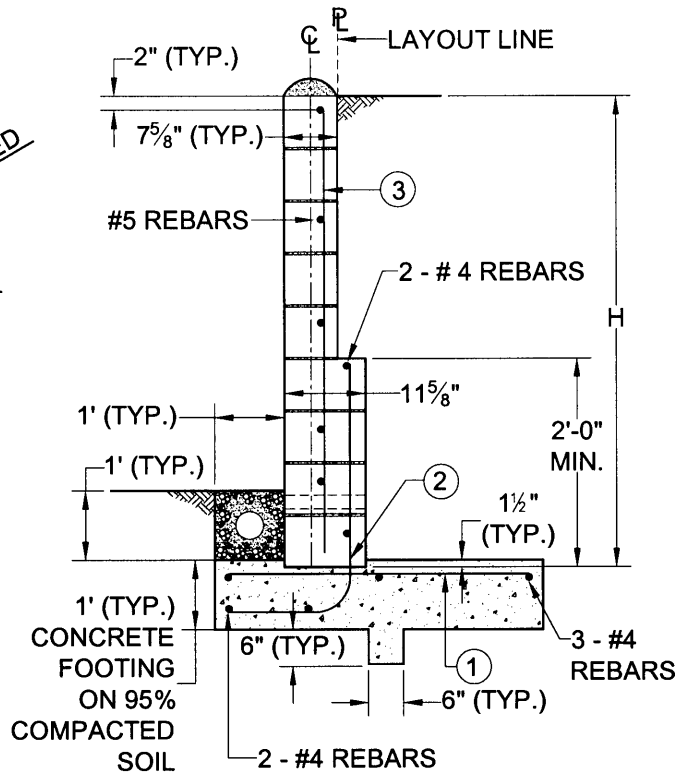


**TYPE B WALL  
4'-8" MAX.**



**TYPE B WALL  
6' MAX**

**NOTES:**

1. DRAIN SHALL BE CONNECTED TO THE NEAREST CATCH BASIN.
2. A CLEANOUT SHALL BE PROVIDED EVERY 100'.
3. IN THE ABSENCE OF PERFORATED DRAIN PIPE, A 2" Ø SCH 40 PVC WEEPHOLES AT 25' O.C. CAN BE PROVIDED UPON CITY ENGINEER'S DISCRETION AND PLAN APPROVAL.
4. PLACE EXPANSION JOINTS AT 4' C.C. MAX. OMIT MORTAR FROM VERTICAL JOINT IN THE FIRST COURSE ABOVE PROPOSED GROUND LINE AT 32" CENTERS FOR WEEPHOLES. FILL CELLS WITH CONCRETE.
5. PROVIDE 3 4"Ø SCH 40 PVC WEEPHOLES IN THE WALL PER LOT (ON THE PROPERTY LINES AND ITS MIDPOINT).

| WALL  |       | REBAR |    |    |
|-------|-------|-------|----|----|
| H     | W     | ①     | ②  | ③  |
| 3'-4" | 2'-8" | #4    | #4 | -  |
| 4'-0" | 3'-0" | #4    | #4 | -  |
| 4'-8" | 3'-4" | #4    | #5 | -  |
| 5'-4" | 3'-8" | #4    | #4 | #4 |
| 6'-0" | 4'-0" | #5    | #4 | #4 |

(Not To Scale)



**ENGINEERING  
DEPARTMENT**

**MASONRY RETAINING WALL (TYPE B)**

*[Signature]*  
JOHN E. STEVENSON CITY ENGINEER

DATE: MAR. 26, 2001

REVISED:

SHEET NO.

**G-3b**